

Technical Data



eMirror



Contents

	Page
1. eMirror system	3
1.1. eMirror SET II / IV	3
1.1.1. Dimensions	3
1.2. eMirror SET LH II / IV RH II / IV / V	4
1.2.1. Dimensions	4
1.3. eMirror SET LH II / IV RH II / V	5
1.3.1. Dimensions	5
2. Technical Data	6
2.1. Camera Unit	6
2.2. Monitor 12,3"	6
2.3. Wiring system	7
2.4. General Data	7
3. Change log	8

1. eMirror system

1.1. eMirror SET II / IV

Article number 30 00 000

System Description

Camera Monitor System according to regulation R46 for vehicles of categories M and N.

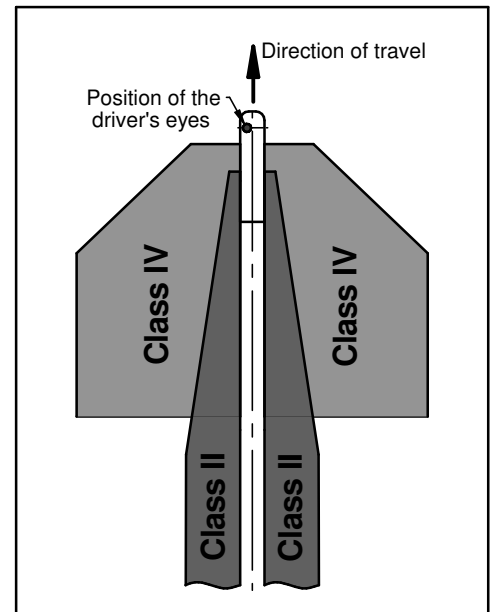
eMirror system has two camera-monitor units including:

- Exterior support with two heated cameras to meet specification of vision categories II and IV
- ECU unit
- Monitor 12,3"
- Wiring

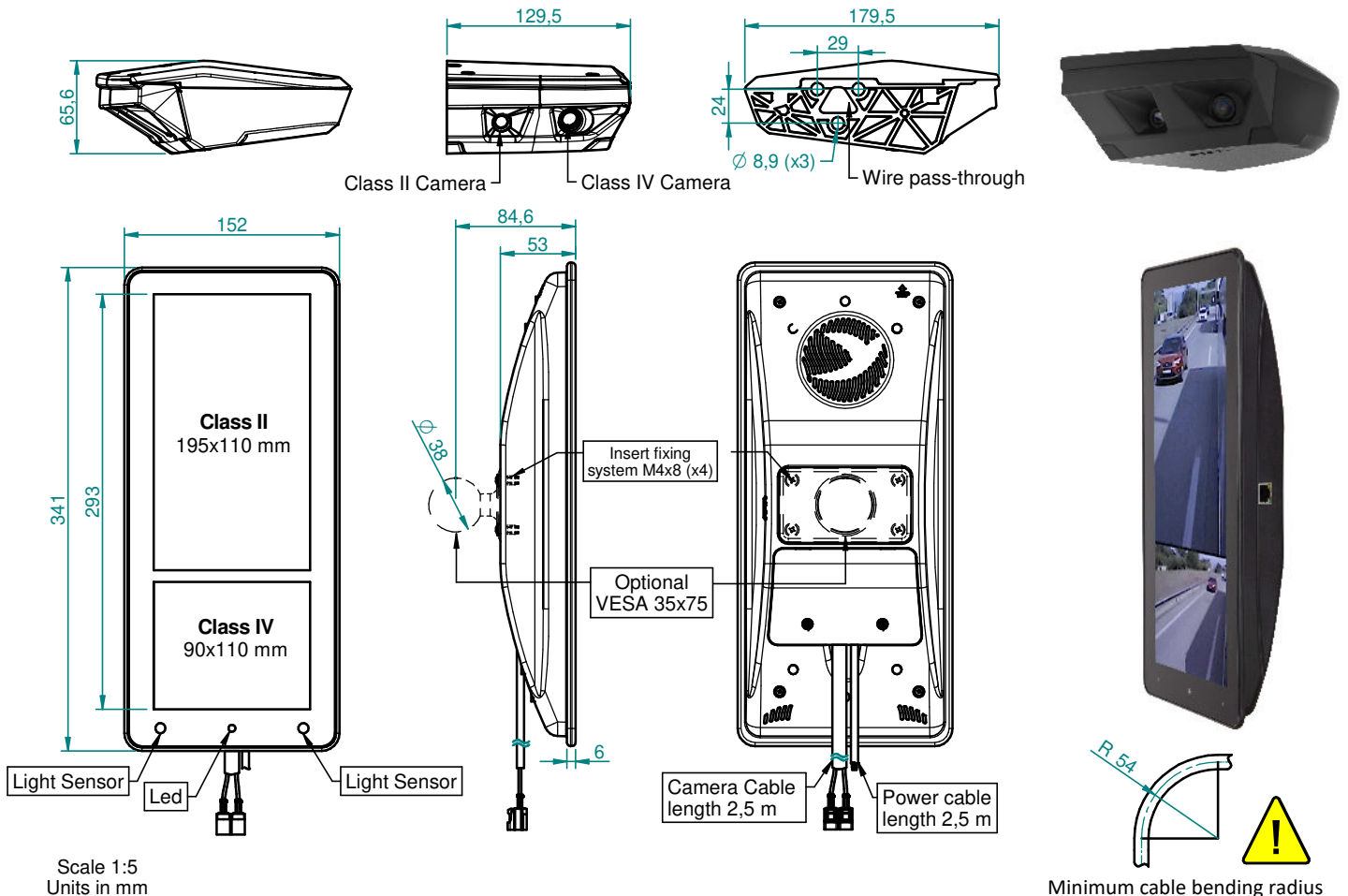
Check related documentation to know technical specifications and assembly instructions.

Features

Heated cameras to improve performance at low temperature, flickering effect of LED optimized, flattened image and low visual latency.



1.1.1 Dimensions



1.2. eMirror SET LH II / IV RH II / IV / V

Article number 30 00 002

System Description

Camera Monitor System according to regulation R46 for vehicles of categories M and N.

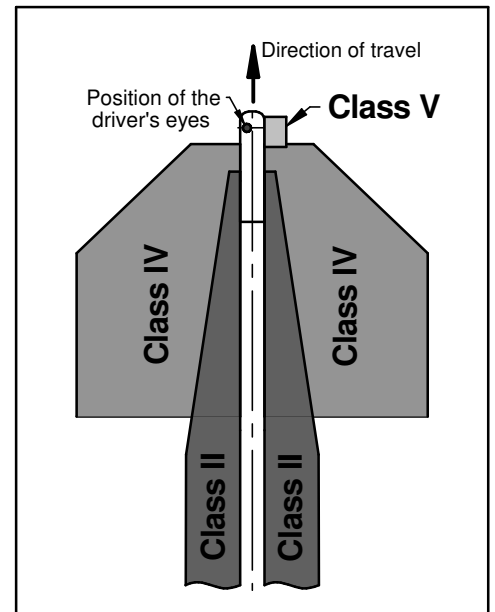
eMirror system has two camera-monitor units including:

- Exterior support with two heated cameras to meet specification of vision categories II and IV on the left side and three heated cameras to meet specification of vision categories II, IV and V on the right side
- ECU unit
- Monitor 12,3"
- Wiring

Check related documentation to know technical specifications and assembly instructions.

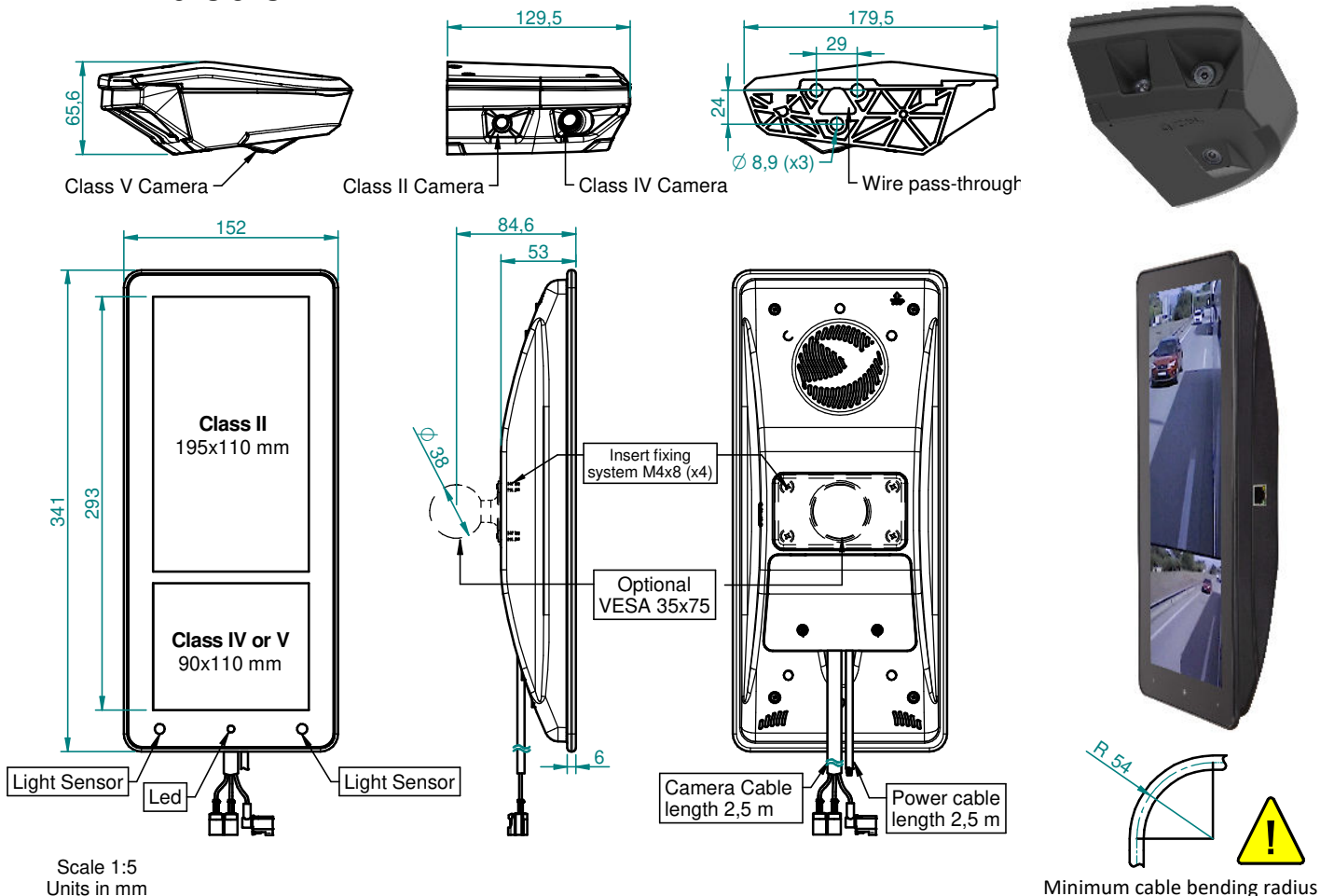
Features

Heated cameras to improve performance at low temperature, flickering effect of LED optimized, flattened image and low visual latency.



*Consult Industrial Arcol for the UK version of the eMirror system.

1.2.1 Dimensions



Scale 1:5
Units in mm

Minimum cable bending radius

1.3. eMirror SET LH II / IV RH II / V

Article number 30 00 004

System Description

Camera Monitor System according to regulation R46 for vehicles of categories M and N.

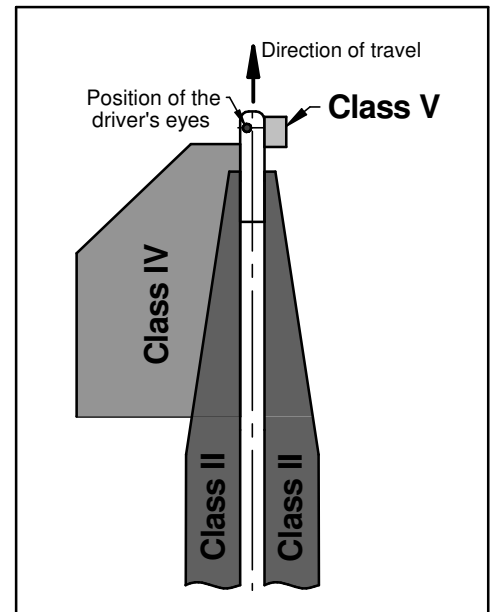
eMirror system has 2 camera-monitor units including:

- Exterior support with two heated cameras to meet specification of vision categories II and IV on the left side and two heated cameras to meet specification of vision categories II and V on the right side
- ECU unit
- Monitor 12,3"
- Wiring

Check related documentation to know technical specifications and assembly instructions.

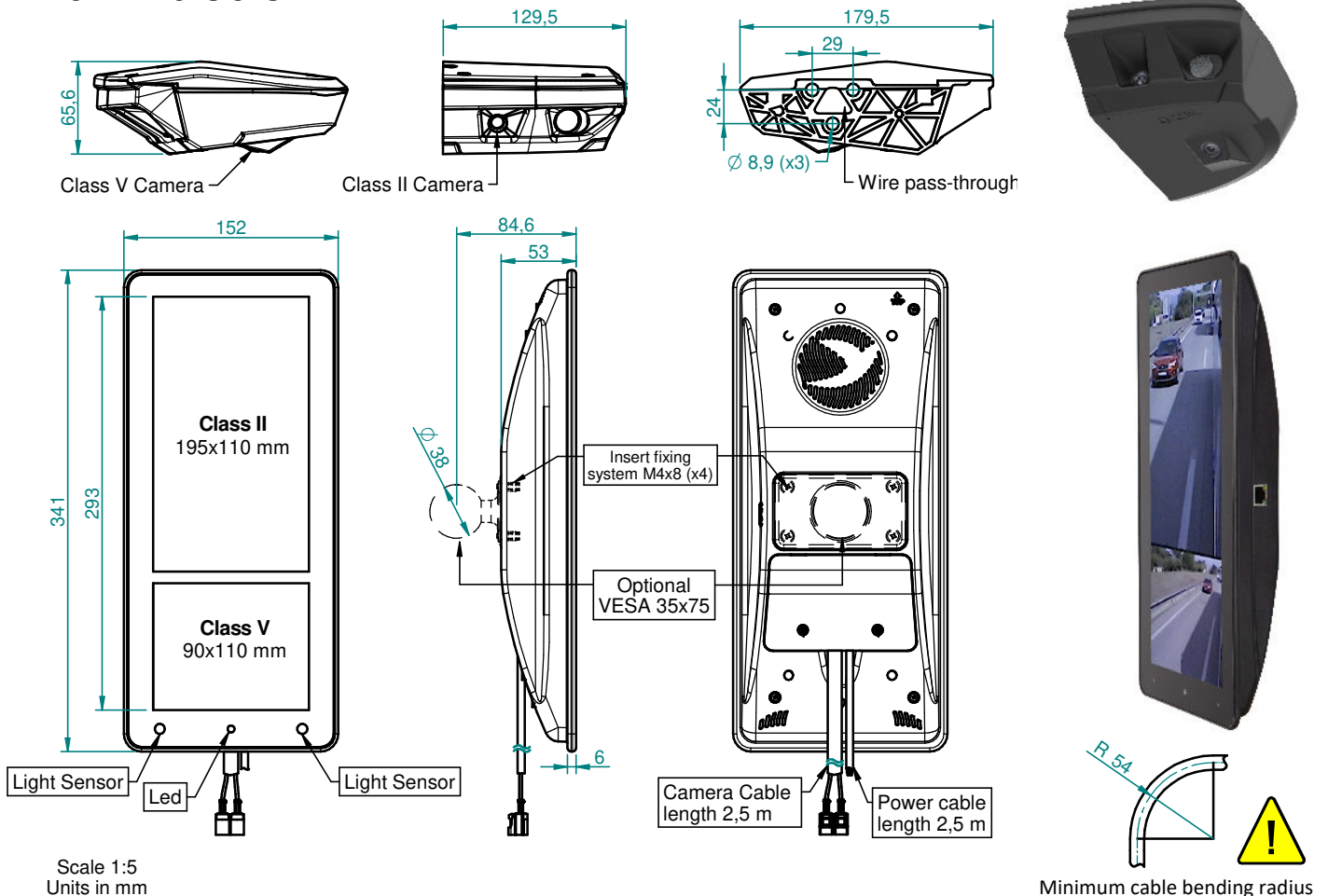
Features

Heated cameras to improve performance at low temperature, flickering effect of LED optimized, flattened image and low visual latency.




*Consult Industrial Arcol for the UK version of the eMirror system.

1.3.1 Dimensions




2. Technical Data

2.1. Camera Unit

Article number	<p>30 00 201 II / IV LH 30 00 200 II / IV RH 30 00 204 II / IV / V RH 30 00 207 II / V RH</p>	
Camera module	Two heated cameras with performance to meet II, IV and V vision categories.	
Video stream	Without compression through coaxial cable.	
Power	Supply through coaxial cable.	
Protection	Camera IP69K Lens: Waterproof Salt fog protection (IEC 60068-2-11) Anti-dust (ISO 20653) UV Anti-aging (ISO 4893-2-2013)	
Optic	Class II H / V: 20,5° / 36° / Class IV and V H / V: 69° / 62°	
Weight	0,6 Kg	
Operating temperature range	Between -40°C and 85°C	
Storage	Storage temperature -40°C to 85°C	
Maintenance	Clean the camera lenses with a damp cloth periodically to ensure a sharp and clear image. Preferably, use specific cleaning products for lenses	

2.2. Monitor 12,3 "

Article number	<p>30 00 101 II / IV LH 30 00 100 II / IV RH 30 00 103 II / V RH 30 00 104 II / IV / V RH</p>	
Backlight	TFT LED	
Luminance	Typ. 850cd/m2	
Contrast	1500	
Surface Treatment	Anti-Reflective / Anti-Glare	
Display module	12,3" (diagonal) 720 x 1296 pixels for Cat. II 720 x 604 pixels for Cat. IV and V	
Bracket	Optional: VESA Support 35x75 Check the different models of arms and lengths compatible with support.	
Communication	High speed bi-directional over Coax cable, operational with active video channel.	
Aspect ratio	Portrait 3:8	
Frame rate	Monitor: 60 fps max. System auto-adjust until 45 fps max.	
Weight	1,1 Kg	
Operating temperature range	Between -40°C and 85°C	
Storage	Storage Temperature -40°C to 85°C	
Maintenance	Turn off the device prior cleaning. Use a damp cloth or non-abrasive wipe to avoid scratching the screen. Do not allow liquids to enter the unit. Avoid non-diluted bleach or ammonia solutions as these may cause discoloration.	

Technical Data

2.3. Wiring system

Item number for each	30 00 400 II / IV
Camera-Monitor Unit:	30 00 401 II / V
	30 00 402 II / IV / V

Electrical connections	Connection of the system to the vehicle with power and ground cables. It consists of two cables connecting the chamber, one for the heating system and one for the power supply.
Weight	0,48 kg
Lenght	2,5 m

2.4. General Data

Color	Black
Voltage	DC 12V/24V
Operate Voltage	10-28V
StandBy Mode Current	100 µA
Power consumption (without heating)	Max. 40W
Power consumption (with heating)	Max. 56W
Inrush Current	3200mA
Operating temperature range	Between -40°C and 85°C
Storage	Storage temperature -40°C to 85°C
Approval number	R46 : II E2*46R04*21278 ; IV E2*46R04*21279 ; V E2*46R04*22213 R10 : E9*10R06*22854 R118 : E9*118R03*1339 ; E9118R03*1237
Product Warranty Period	2 years limited warranty
RoHS compliance	Yes
REACH compliance	Yes

3. Change log

V 01/2024:

- Add system consumption in content 2.4 General Data.

V 04/2024:

- Document update with eMirror version 1.2.
- Include information on the monitor fixing system if the VESA system is not included.
- Update camera maintenance recommendations.